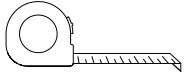


### REQUIRED TOOLS FOR INSTALLATION

CASSETTE, MODELS S-300 | S-325 | V-80 | V-90

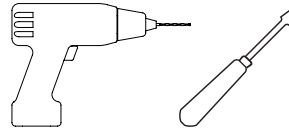
#### Tape Measure



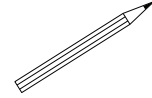
#### Level



#### Power Drill / Screwdriver

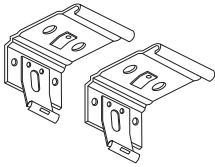


#### Pencil

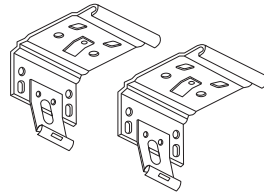


### COMES WITH YOUR ORDER

#### S-300 Brackets



#### S-325 / V-80 / V-90 Brackets



#### Screws



#### Applications



Roller Shades



High-Lite Shades

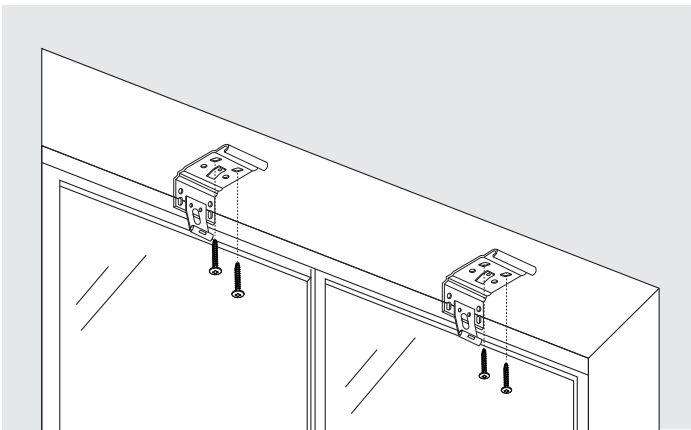


Sheer Horizontal

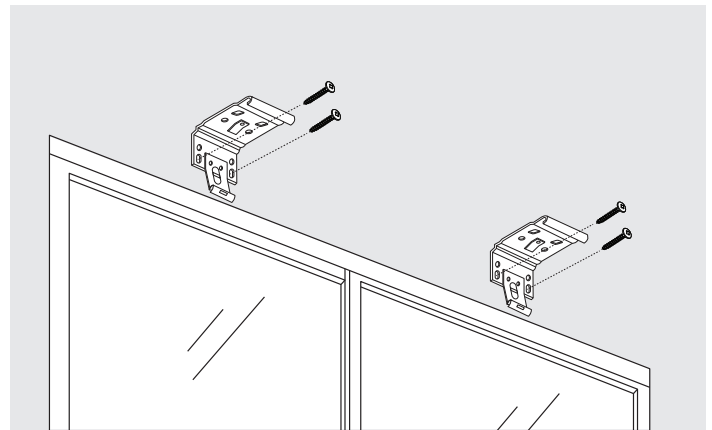
Shade Width ("")	# of Brackets Supplied
0 - 60	2
60 - 84	3
84+	4

### CASSETTE INSTALLATIONS

#### STEP 1 - BRACKET INSTALLATION



Inside Mount

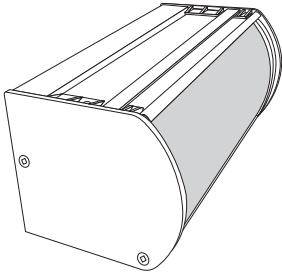


Outside/Wall Mount

Mark the cassette placement on the mounting surface. Install the brackets approximately 2" from either end of the cassette (drywall plugs, if required, can be purchased from a local hardware store). Ensure each bracket is level and in alignment with one another. Brackets should be securely placed allowing slight movement to adjust.

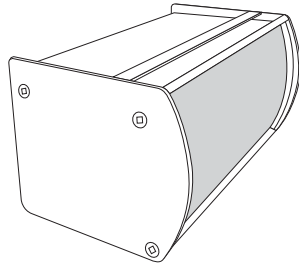
### S-300 Cassette

2 7/8" H x 3 1/8" W



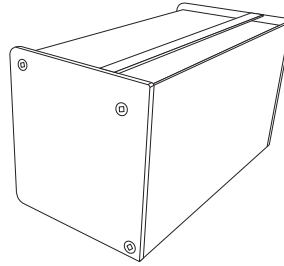
### S-325 Cassette

3 1/8" H x 3 1/2" W



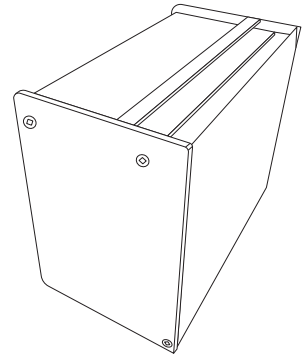
### V-80 Cassette

3 3/8" H x 3 1/8" W

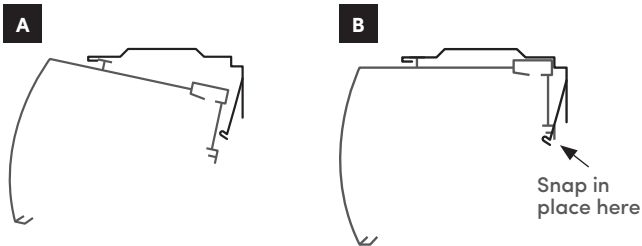


### V-90 Cassette

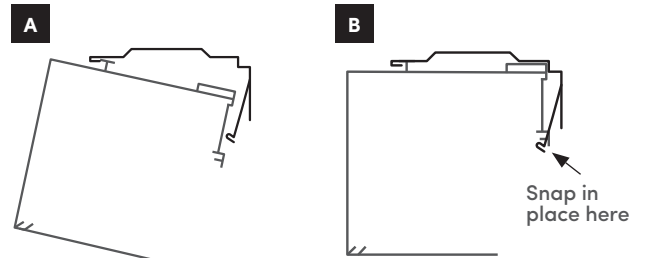
5" H x 3 7/16" W



## STEP 2 - MOUNTING THE SHADE (S-300 | S-325)



## STEP 2 - MOUNTING THE SHADE (V-80 | V-90)

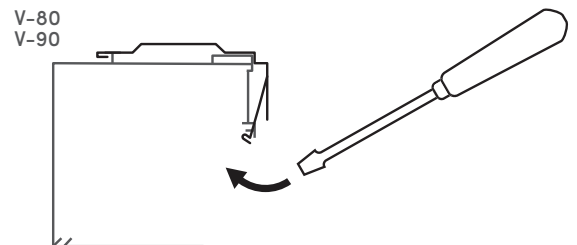
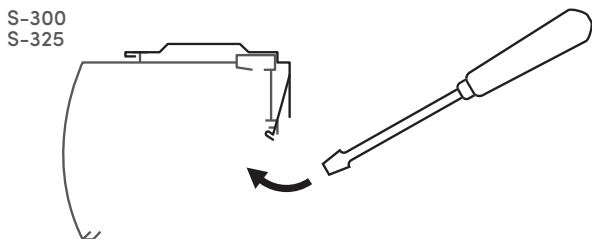


Hook the front of the cassette onto each bracket as shown in **(fig.A)**. Pivot the cassette back and snap into place **(fig.B)** on each bracket ensuring a tight and secure fit.

### NOTES

- **DO NOT** manipulate fabric roll when snapping cassette into place.

## STEP 3 - REMOVING THE SHADE (IF NECESSARY)



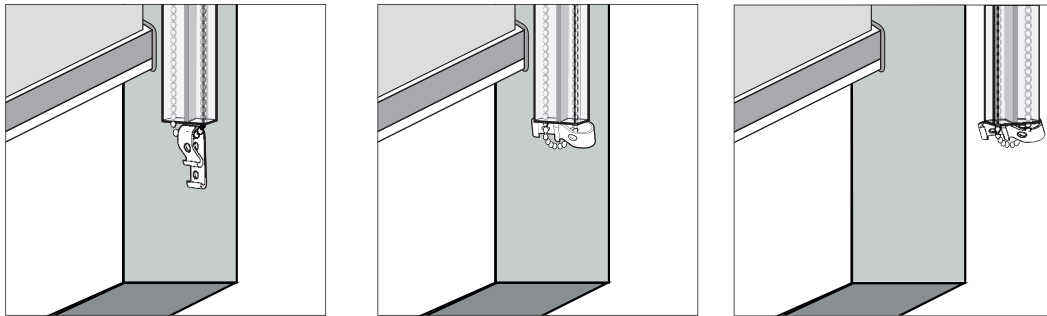
Insert a flat head screwdriver, between the bracket and cassette as shown. Gently pry the spring clip off the bracket of the cassette to unhook. The cassette should disengage from the bracket.

## STEP 4 - P-CLIP INSTALLATION (CHAINGUARD ONLY)

### CHILD/SAFETY CHAIN TENSIONER INSTALLATION

This device **MUST** be properly installed in accordance with Health Canada regulations on corded window covering products. Fasten P-Clip against the window frame or wall. Position the P-Clip so it does not interfere with the travel of the shade. Chain should be tight, but not under stress when adhered to the P-Clip. Fasten the P-Clip using screws provided. **Do not twist the chain.**

**To operate the chain** slide ChainGuard up, exposing the bottom of the chain. Use the exposed chain to raise or lower your shade accordingly. Release the ChainGuard to conceal the chain.



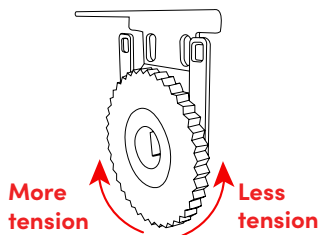
## STEP 5 - TENSION ADJUSTMENT (V-80 FREEMOTION)

### Tension Adjustment

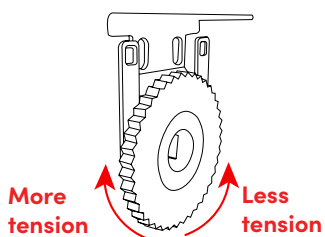
\*Tension can be adjusted by rotating the dial located on right side of shade (left side for reverse roll).

- If shade is raising on its own, **loosen** the tension by turning the dial **counter-clockwise**.
- If shade is lowering on its own, **increase** tension by turning the dial **clockwise**.

#### Regular Roll



#### Reverse Roll



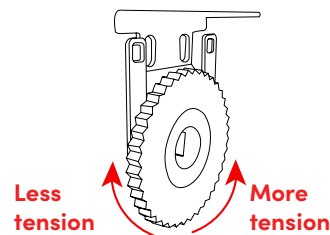
## STEP 5 - TENSION ADJUSTMENT (S-300 | S-325 | V-90 FREEMOTION)

### Tension Adjustment

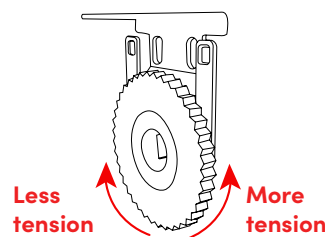
\*Tension can be adjusted by rotating the dial located on left side of shade (right side for reverse roll).

- If shade is raising on its own, **loosen** the tension by turning the dial **clockwise**.
- If shade is lowering on its own, **increase** tension by turning the dial **counter-clockwise**.

#### Regular Roll



#### Reverse Roll



## FABRIC ADJUSTMENT

**ROLLER & HIGH-LITE SHADES:** If telescoping occurs, roll your shade down a few inches past the window sill and place tape on the fabric as close to the top as possible on the side you want to bring down. Repeat this process as many times as necessary by layering the tape.

**SHEER HORIZONTAL SHADES:** Unlock the plastic clips under the bottom bar and operate the shade up/down until it rolls straight then lock the weight bar back into place.

## ⚠️ WARNING

**STRANGULATION HAZARD:** Young children can be strangled by cords. Immediately remove this product if a cord longer than 22cm or a loop exceeding 44cm around becomes accessible.

## MAINTENANCE & CARE

Fabrics can be periodically dusted using a soft cloth, can air duster, feather duster, or vacuum cleaner with brush attachment. If staining does occur, most fabrics can be cleaned using a soft cloth with water or a mild soap detergent. Any detergent or cleaning product should be tested on a small area prior to cleaning the fabric. Do NOT use abrasives or harsh cleansers as they can damage the fabric. Dab with a cloth or towel to prevent water spots and roll shade down to the window sill to allow the fabric to air-dry.

## ⚠️ MISE EN GARDE

**RISQUE D'ÉTRANGLEMENT:** Les enfants en bas âge peuvent s'étrangler avec des cordes. Enlevez immédiatement ce produit si une corde mesurant plus de 22 cm devient accessible ou si le contour d'une boucle de plus de 44 cm devient accessible.



For french installation instructions, scan the QR code.