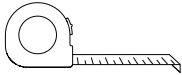
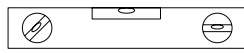


REQUIRED TOOLS FOR INSTALLATION

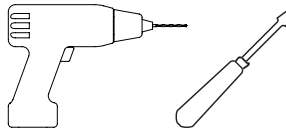
Tape Measure



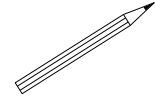
Level



Power Drill / Screwdriver

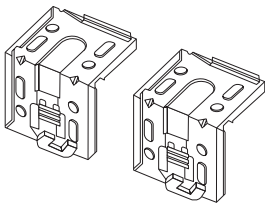


Pencil



COMES WITH YOUR ORDER

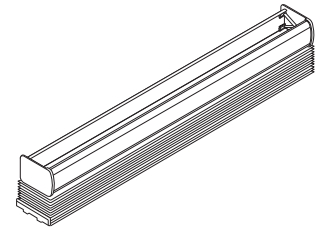
Headrail Brackets



Screws

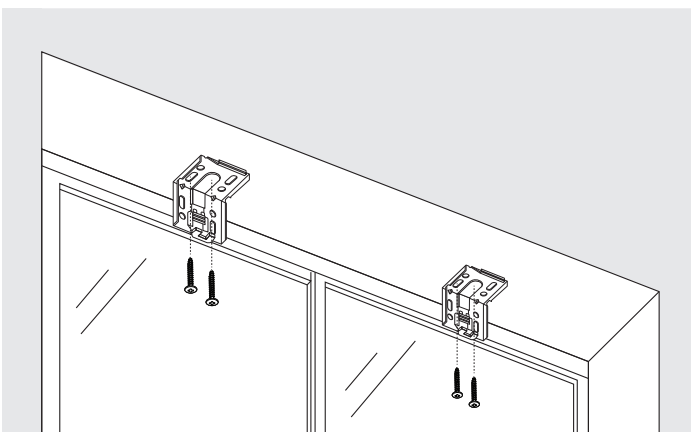


Cellular Shade

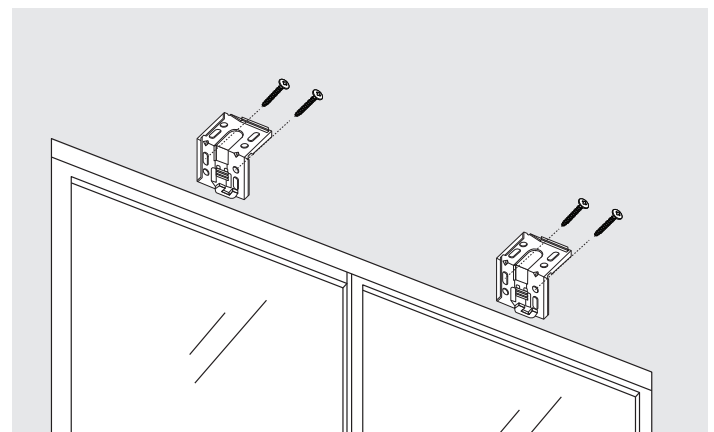


HEADRAIL INSTRUCTIONS

STEP 1 - BRACKET INSTALLATION



Inside Mount

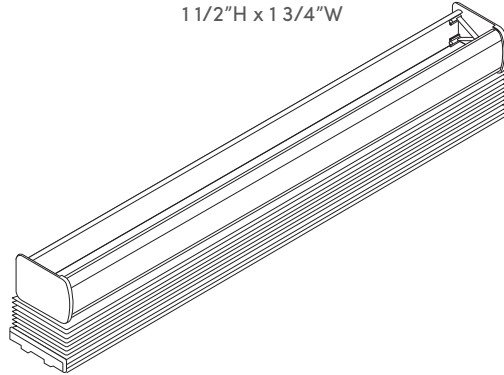


Outside/Wall Mount

Mark the headrail placement on the mounting surface. Install the brackets approximately 3" from either end of the headrail marking (drywall plugs, if required, can be purchased from a local hardware store). Ensure each bracket is level and in alignment with one another.

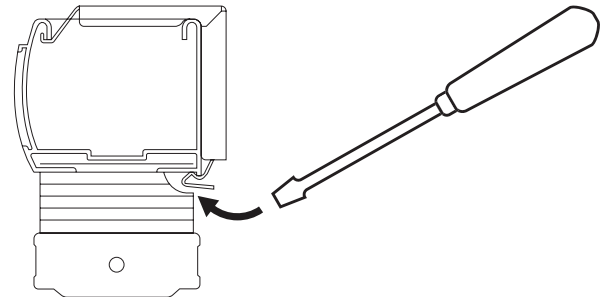
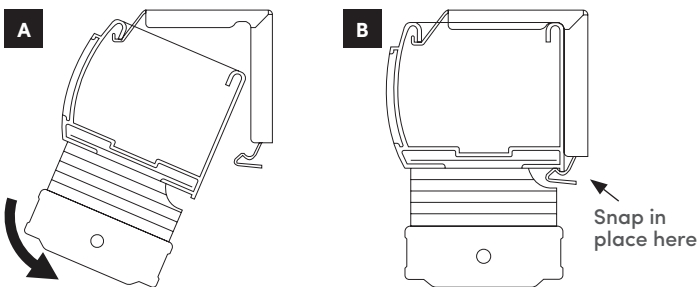
HEADRAIL DIMENSIONS

1 1/2"H x 1 3/4"W



STEP 2: MOUNTING THE SHADE

STEP 3: REMOVING THE SHADE



Hook the front of the headrail onto each bracket as shown in **(fig.A)**. Pivot the headrail back and snap into place **(fig.B)** on each bracket ensuring a tight and secure fit.

Insert a flat head screwdriver, between the bracket and headrail as shown. Gently pry the spring clip off the bracket of the headrail to unhook. The headrail should disengage from the bracket.

MAINTENANCE & CARE

Fabrics can be periodically dusted using a soft cloth, can air duster, feather duster, or vacuum cleaner with brush attachment. If staining does occur, most fabrics can be cleaned using a soft cloth with water or a mild soap detergent. Any detergent or cleaning product should be tested on a small area prior to cleaning the fabric. Do NOT use abrasives or harsh cleansers as they can damage the fabric. Dab with a cloth or towel to prevent water spots and roll shade down to the window sill to allow the fabric to air-dry.

WARNING / MISE EN GARDE

STRANGULATION HAZARD: Young children can be strangled by cords. Immediately remove this product if a cord longer than 22cm or a loop exceeding 44cm around becomes accessible.

RISQUE D'ÉTRANGLEMENT: Les enfants en bas âge peuvent s'étrangler avec des cordes. Enlevez immédiatement ce produit si une corde mesurant plus de 22 cm devient accessible ou si le contour d'une boucle de plus de 44 cm devient accessible.



For french installation instructions, scan the QR code.