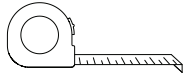
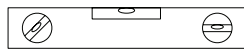


REQUIRED TOOLS FOR INSTALLATION

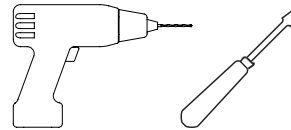
Tape Measure



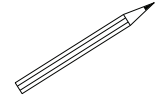
Level



Power Drill / Screwdriver



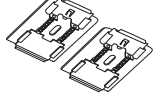
Pencil



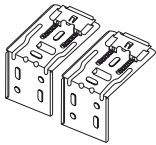
COMES WITH YOUR ORDER

Headrail Brackets

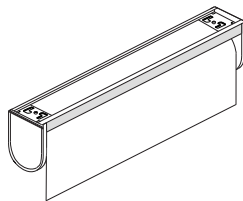
Inside mount



Outside mount



Liner Shade

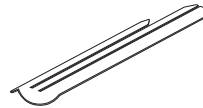


Screws

+ One extra

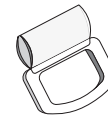


Clips



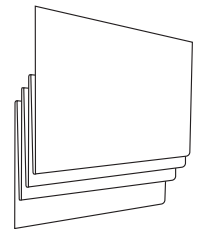
Handle

If applicable



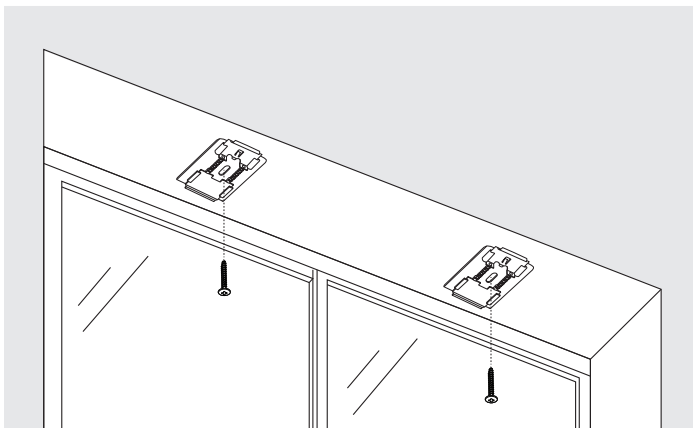
Front Fabric

Supplied by workroom

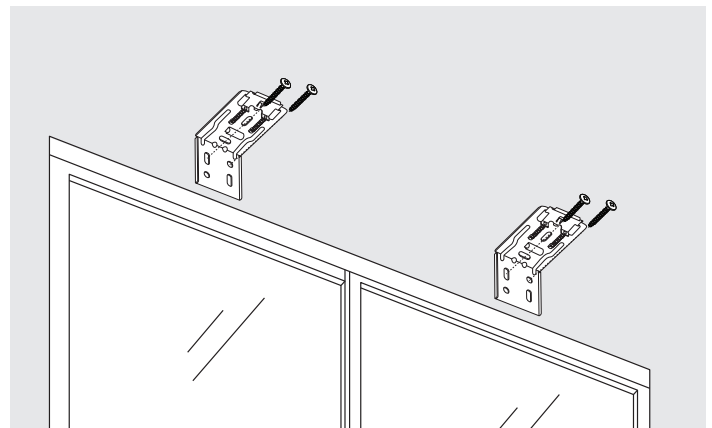


HEADRAIL INSTRUCTIONS

STEP 1 - BRACKET INSTALLATION



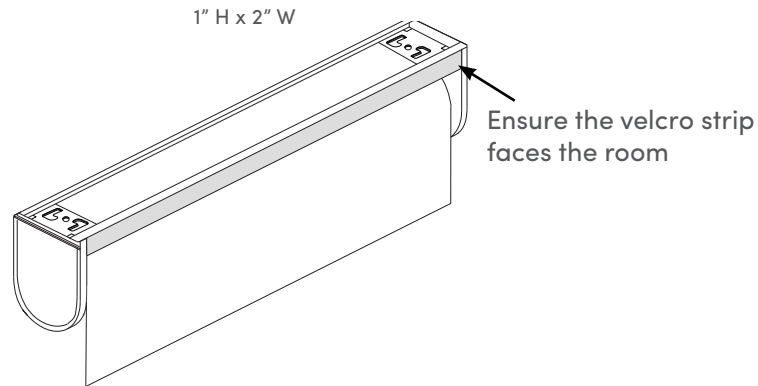
Inside Mount



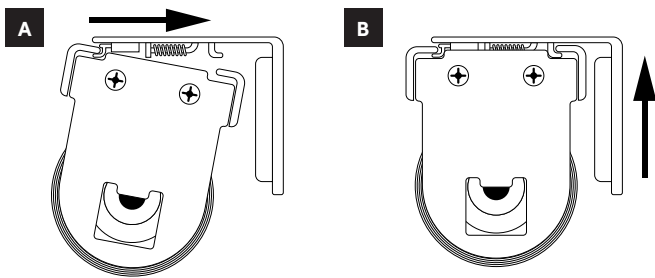
Outside/Wall Mount

Mark the headrail placement on the mounting surface. Install the brackets approximately 3" from either end of the headrail marking (drywall plugs, if required, can be purchased from a local hardware store). Ensure each bracket is level and in alignment with one another.

HEADRAIL DIMENSIONS

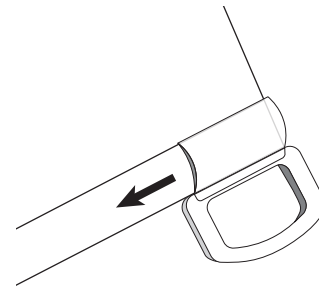


STEP 2: MOUNTING THE SHADE



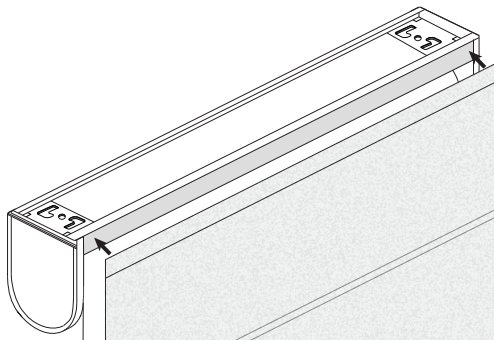
Hook the front of the headrail onto each bracket as shown in **(fig.A)**. Press the spring tab back towards the window and click the headrail into place.

STEP 3: INSTALLING CLEAR HANDLE



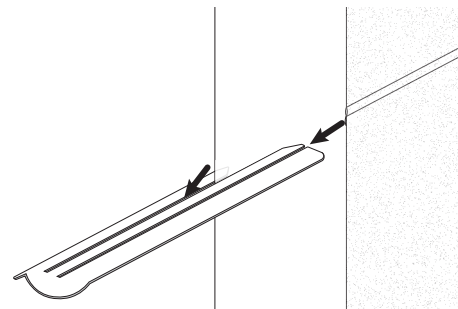
Slide the handle onto the liner bottom rail. Stop once you've reached the centre of the shade. Handle is not visible when face fabric is adhered to the velcro strip.

STEP 4: APPLY FACE FABRIC



Attach the face fabric by connecting the velcro on the headrail with the velcro on the fabric and pressing firmly ensuring the fabric is centered.

STEP 5: INSTALL CLIPS



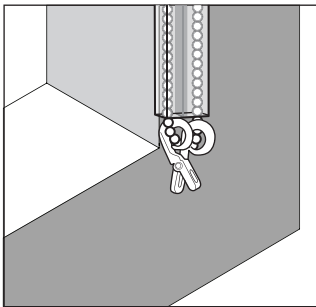
Slide the clip every 2nd panel (16"), ensuring the liner fabric slides into the back slot and the back of the Roman fabric slides into the front slot. Clips are not visible on the front fabric of the Roman shade.

STEP 6 - APPLIES TO CHAIN OPERATION ONLY**CHILD/SAFETY CHAIN TENSIONER INSTALLATION**

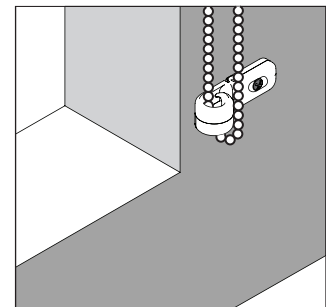
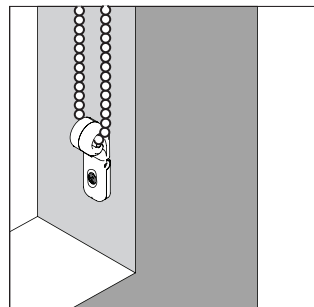
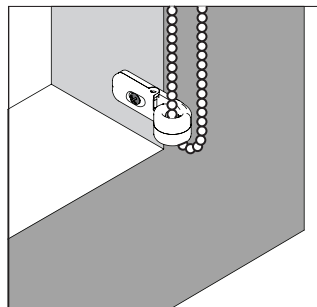
This device **MUST** be properly installed in accordance with Health Canada regulations on corded window covering products. Fasten P-Clip against the window frame or wall. Position the P-Clip so it does not interfere with the travel of the shade. Chain should be tight, but not under stress when adhered to the P-Clip. Fasten the P-Clip using screws provided. **Do not twist the chain. ChainGuard will rest on P-Clip.**

To operate the chain slide ChainGuard up and hold, exposing the chain. Use the exposed chain to raise or lower your shade accordingly. Release the ChainGuard to conceal the chain.

OPEN POSITION



WAYS TO INSTALL YOUR P-CLIP

**MAINTENANCE & CARE**

Liner fabrics can be periodically dusted using a soft cloth, feather duster, or vacuum cleaner with brush attachment. If staining does occur, most fabrics can be cleaned using a soft cloth with water or a mild soap detergent. Any detergent or cleaning product should be tested on a small inconspicuous area prior to cleaning the fabric. Do NOT use abrasives or harsh cleansers as they can damage the fabric. Dab with a cloth or towel to prevent water spots and roll shade down to the window sill to allow the fabric to air-dry. To avoid damaging your face fabric, always check with fabric manufacturer for detailed cleaning instructions.

⚠️ WARNING / MISE EN GARDE

STRANGULATION HAZARD: Young children can be strangled by cords. Immediately remove this product if a cord longer than 22cm or a loop exceeding 44cm around becomes accessible.

RISQUE D'ÉTRANGLEMENT: Les enfants en bas âge peuvent s'étrangler avec des cordes. Enlevez immédiatement ce produit si une corde mesurant plus de 22 cm devient accessible ou si le contour d'une boucle de plus de 44 cm devient accessible.



For french installation instructions, scan the QR code.