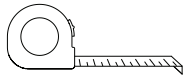


## REQUIRED TOOLS FOR INSTALLATION

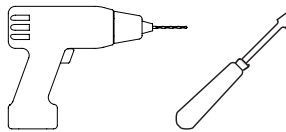
### Tape Measure



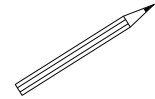
### Level



### Power Drill / Screwdriver

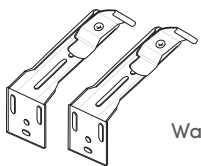


### Pencil



## COMES WITH YOUR ORDER

### Brackets



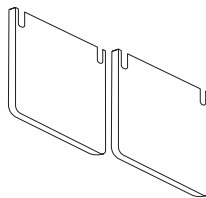
Wall Brackets



Ceiling Clips

### Bracket Cover

(Wall mount only)



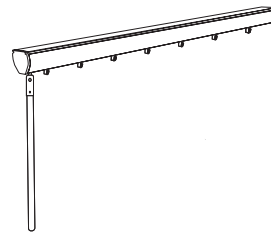
### Screws

+ One extra screw provided

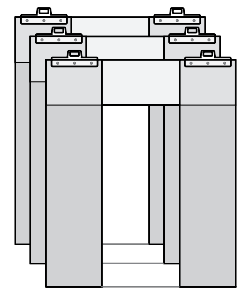


Multiples

### Track

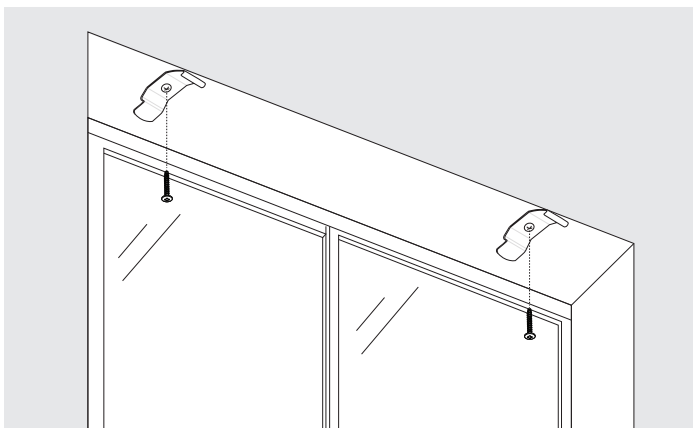


### Fabric Panels

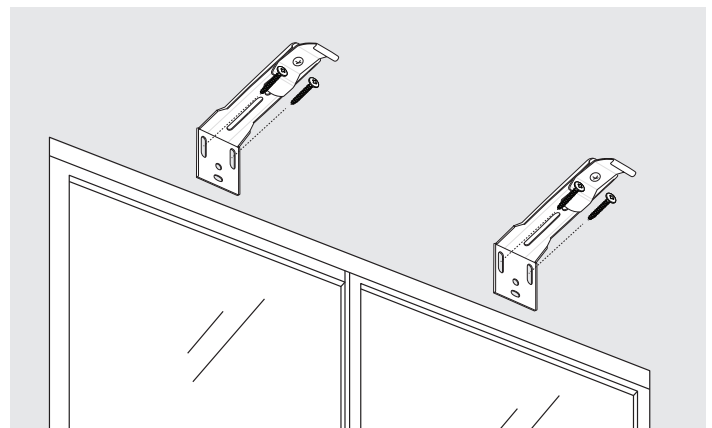


## TRACK INSTALLATION

### STEP 1 - BRACKET INSTALLATION



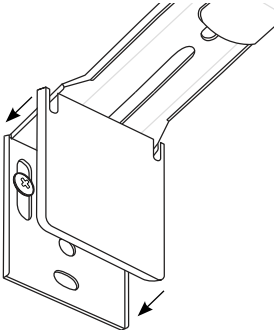
Ceiling Mount



Wall Mount

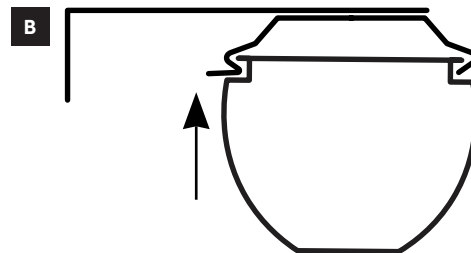
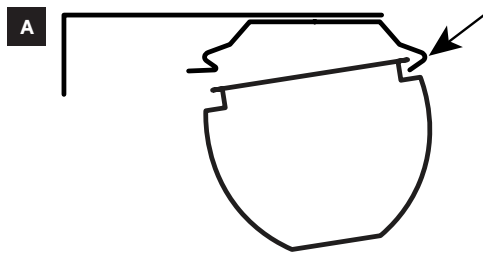
Mark the track placement on the mounting surface. Install the brackets approximately 3" from either end of the track marking (drywall plugs, if required, can be purchased from a local hardware store). Ensure each bracket is level and in alignment with one another.

## STEP 2: INSTALLING BRACKET COVER (IF APPLICABLE)



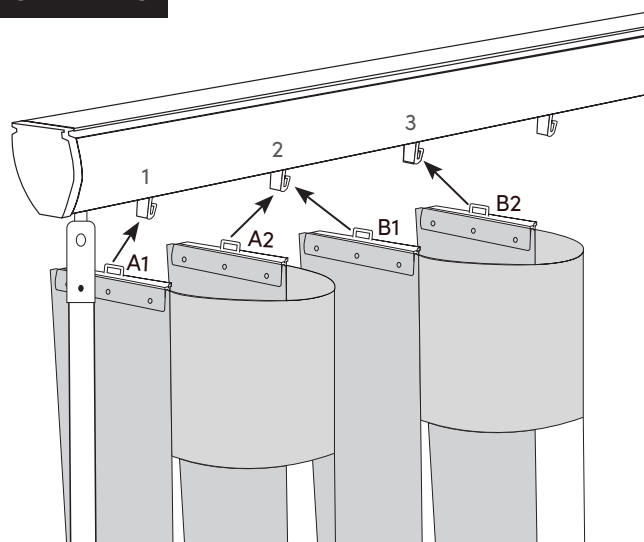
Slide the bracket cover along the long end of the bracket. Snap the cover back onto the short end of the bracket, covering all screw holes.

## STEP 3: MOUNTING THE TRACK



Hook the front of the track onto each bracket as shown in **(fig.A)**. Pivot the track up until the back of it snaps into the bracket as shown in **(fig.B)**.

## STEP 4: MOUNTING THE FABRIC PANELS



Starting from the side closest to the control wand, attach the leading-end hanger of the first panel (**A1**) on the first J-hook (**1**). Attach the trailing-end hanger of the first panel (**A2**) on the second J-hook (**2**), creating a U-shape. Attach the leading-end hanger of the second panel (**B1**) on same J-hook (**2**) as **A2**. Attach the trailing-end hanger of the second panel (**B2**) on the third J-hook (**3**). Repeat this process until all panels are mounted on the track.

**MAINTENANCE & CARE**

New drapes may require steaming or light dressing due to wrinkling in transportation and packaging. Fabrics can be periodically cleaned using a soft damp cloth. If staining does occur, most fabrics can be cleaned with water or a mild laundry detergent. Any detergent or cleaning product should be tested on a small inconspicuous area prior to cleaning the fabric. Do NOT use abrasives or harsh cleansers as they can damage the fabric. Allow the fabric to air-dry.

If the fabric tape becomes detached, take the fabric off the hanger and iron the tape down on the lowest setting.

**⚠️ WARNING / MISE EN GARDE**

**STRANGULATION HAZARD:** Young children can be strangled by cords. Immediately remove this product if a cord longer than 22cm or a loop exceeding 44cm around becomes accessible.

**RISQUE D'ÉTRANGLEMENT:** Les enfants en bas âge peuvent s'étrangler avec des cordes. Enlevez immédiatement ce produit si une corde mesurant plus de 22 cm devient accessible ou si le contour d'une boucle de plus de 44 cm devient accessible.



For french installation instructions, scan the QR code.