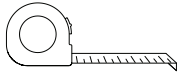


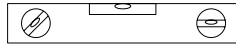
REQUIRED TOOLS FOR INSTALLATION

FASCIA, MODELS Z-300 | Z-400 | Z-550

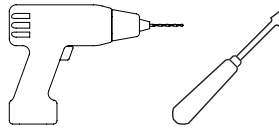
Tape Measure



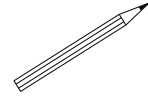
Level



Power Drill / Screwdriver



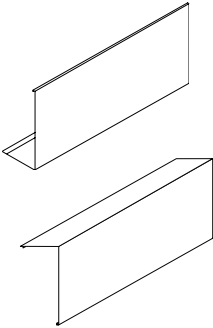
Pencil



COMES WITH YOUR ORDER

Fascia

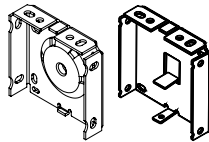
No notching required



Reverse fascia for open bottom install

Fascia Brackets

Cordless Systems

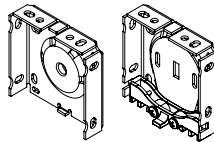


Idler-end Bracket

Control-end Bracket

Fascia Brackets

ChainGuard



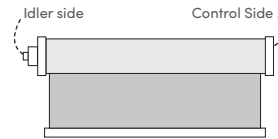
Idler-end Bracket

Control-end Bracket

Screws

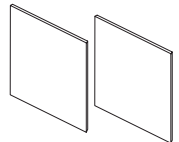


Roller Shade



End Caps

If Ordered

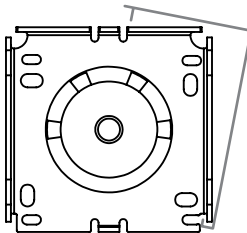


FASCIA INSTALLATIONS

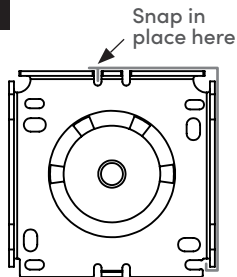
STEP 1 - REVERSE FASCIA INSTALLATION (If Required)

Hook the bottom of the fascia onto each bracket as shown in **(fig.A)**. Pivot the fascia up and snap into place **(fig.B)** on each bracket ensuring a tight and secure fit.

A



B



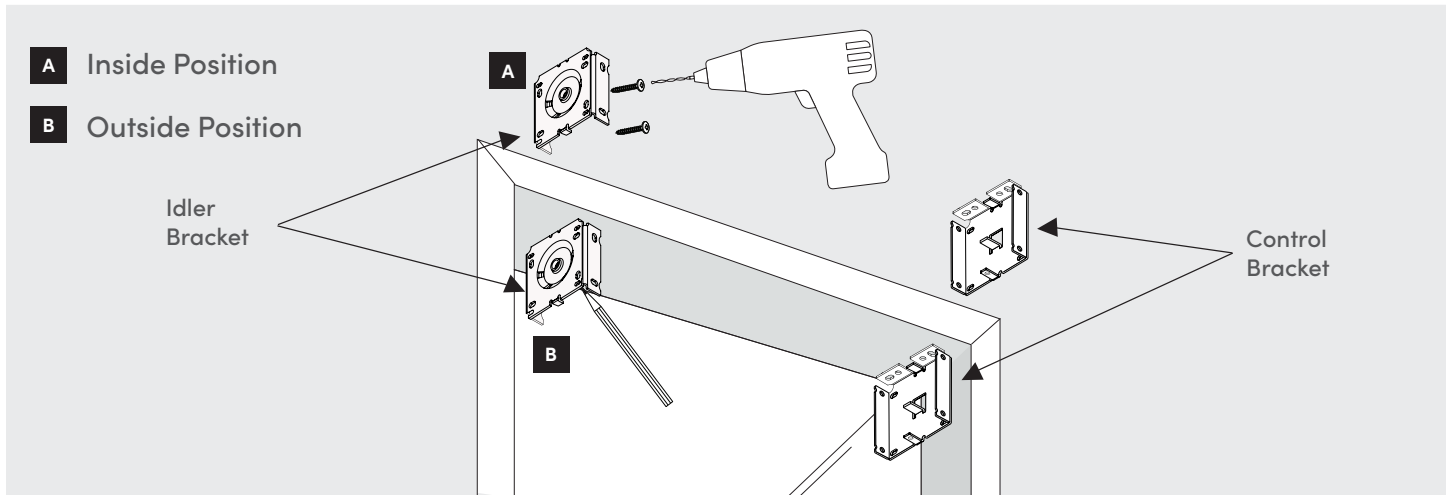
NOTES

- Fascia must be installed in reverse when ordering WandControl™, E-Touch™ and motorized shades (no notch required).

STEP 1.2 - END CAPS INSTALLATION (Inside Mount Only)

Snap the end caps into each bracket.

STEP 2 - BRACKET INSTALLATION



Inside / Outside Mount: Using a steel measuring tape, measure the distance from the **outside edge** of each bracket according to the ordered shade width. Mark the screw location on the mounting surface with a pencil ensuring these are leveled.

Fasten brackets according to Left or Right side controls in the marked locations using the screws provided (drywall plugs, if required, can be purchased from a local hardware store). Ensure brackets are secure, leveled, parallel and facing towards each other.

NOTES

- For reverse fascia, screws must be drilled through bracket holes and fascia.

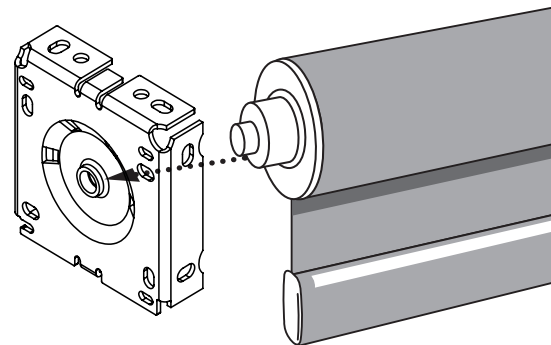
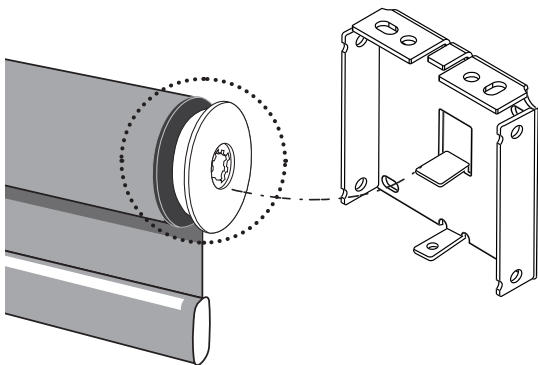
STEP 3 - SHADE INSTALLATION (SpringDrive, FreeMotion, WandControl, Motorization)

NOTES

- Ensure fabric rolls in the direction you specified (regular or reverse roll)
- Your control side depends on what you specified in your order

A - Insert the control-end bracket lip into the control side.

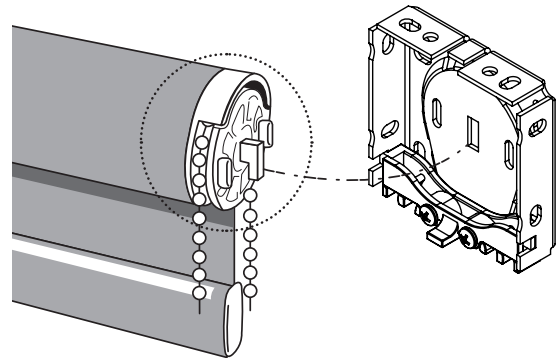
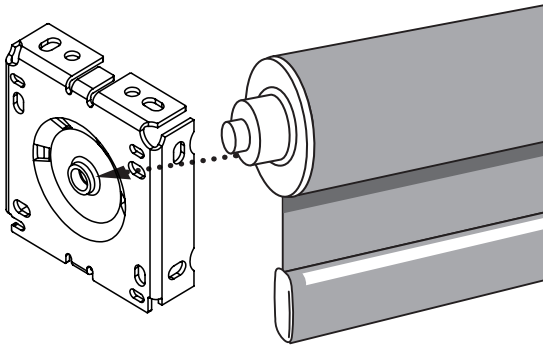
B - The idler end has a spring-loaded pin that allows it to compress in/out. Compress the pin and insert the idler-end into the idler-end bracket.



STEP 3 - SHADE INSTALLATION (ChainGuard)

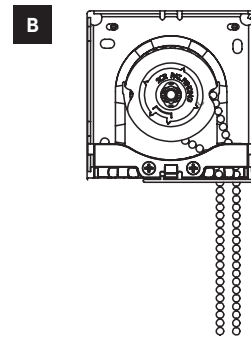
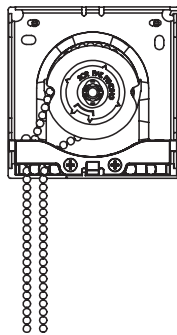
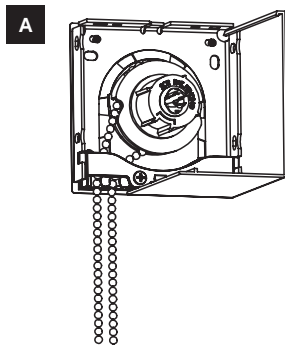
A - The idler end has a spring-loaded pin that allows it to compress in/out. Compress the pin and insert the idler-end into the idler-end bracket.

B - Hook the clutch side into the "+" shape of the clutch bracket.



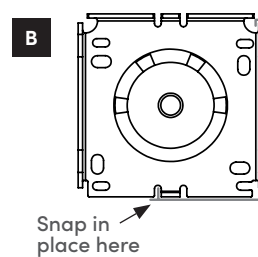
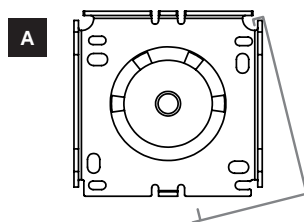
STEP 4 - CHAIN GUIDE INSTALLATION

For standard Fascia, the chain must be guided to the back of the chain guide (**fig.A**). For reverse Fascia, the chain can be guided to any side of the chain guide (**fig.B**).



STEP 5 - FASCIA INSTALLATION

Hook the top of the fascia onto each bracket as shown in (**fig.A**). Pivot the fascia down and snap into place (**fig.B**) on each bracket ensuring a tight and secure fit. If applicable, snap the end caps into each bracket.

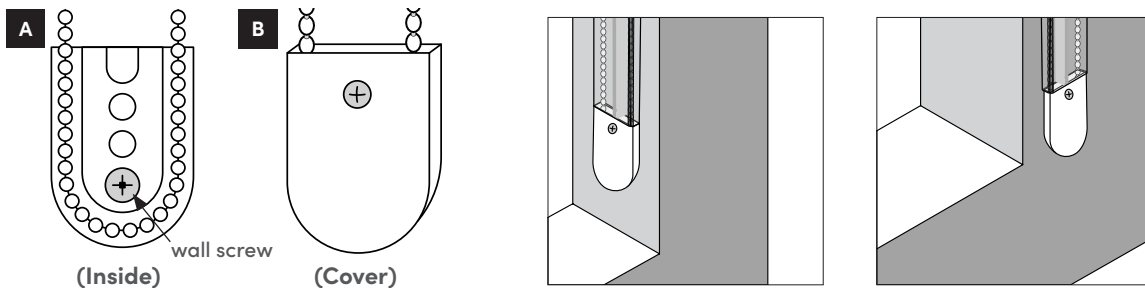


STEP 6 - AFFIX U-CLIP TO WALL (CHAINGUARD™ ONLY)

CHILD/SAFETY CHAIN TENSIONER INSTALLATION

If preferred, the U-Clip can be affixed to the wall to prevent the chain from swaying. Position the U-Clip so it does not interfere with the travel of the shade. Chain should be tight, but not under stress when U-Clip is affixed to the wall. To do so, remove the screw at the front of the U-Clip and gently pry the cover off. Using the wall screw provided, screw the back cover into the wall (**fig.A**). Ensuring the chain is resting properly in the U channel of the U-clip, snap the front cover back on and secure the smaller screw to hold both pieces together (**fig.B**). **Do not twist the chain. ChainGuard™ will rest on U-Clip as shown.**

To operate the shade slide ChainGuard™ up and hold, exposing the chain. Use the exposed chain to raise or lower your shade accordingly.



FABRIC ADJUSTMENT

If telescoping occurs, roll your shade down a few inches pass the window sill and place tape on the fabric as close to the top as possible on the side you want to bring down. Repeat this process as many times as necessary by layering the tape.

MAINTENANCE & CARE

Fabrics can be periodically dusted using a soft cloth, feather duster, or vacuum cleaner with brush attachment. If staining does occur, most fabrics can be cleaned using a soft cloth with water or a mild soap detergent. Any detergent or cleaning product should be tested on a small area prior to cleaning the fabric. Do NOT use abrasives or harsh cleansers as they can damage the fabric. Dab with a cloth or towel to prevent water spots and roll shade down to the window sill to allow the fabric to air-dry.

⚠️ WARNING

STRANGULATION HAZARD: Young children can be strangled by cords. Immediately remove this product if a cord longer than 22cm or a loop exceeding 44cm around becomes accessible.

⚠️ MISE EN GARDE

RISQUE D'ÉTRANGLEMENT: Les enfants en bas âge peuvent s'étrangler avec des cordes. Enlevez immédiatement ce produit si une corde mesurant plus de 22 cm devient accessible ou si le contour d'une boucle de plus de 44 cm devient accessible.



For french installation instructions, scan the QR code.
Pour les instructions d'installation en français, scannez le code QR.