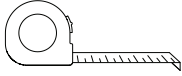
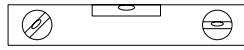


REQUIRED TOOLS FOR INSTALLATION

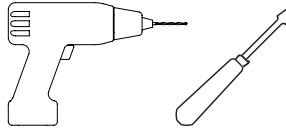
Tape Measure



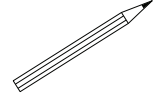
Level



Power Drill / Screwdriver

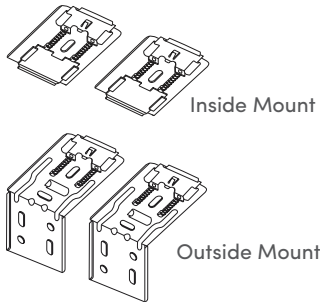


Pencil

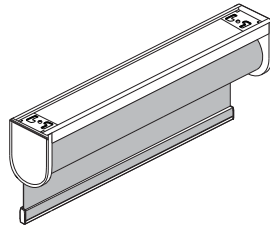


COMES WITH YOUR ORDER

Headrail Brackets

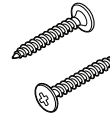


Roller Shade



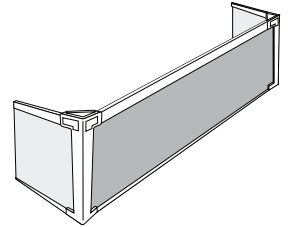
Screws

+ One extra screw provided



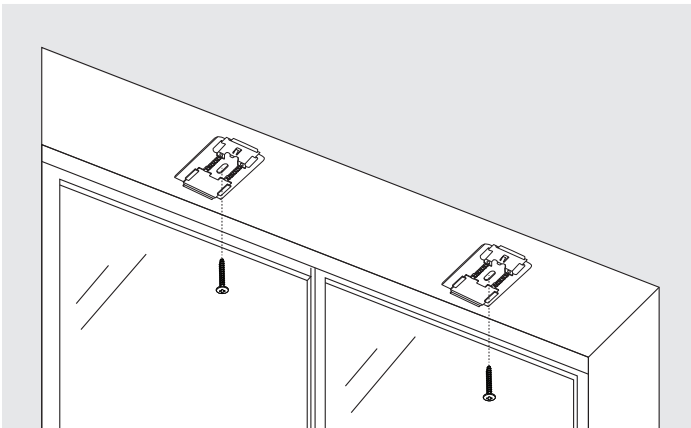
Decor Valance

If Applicable

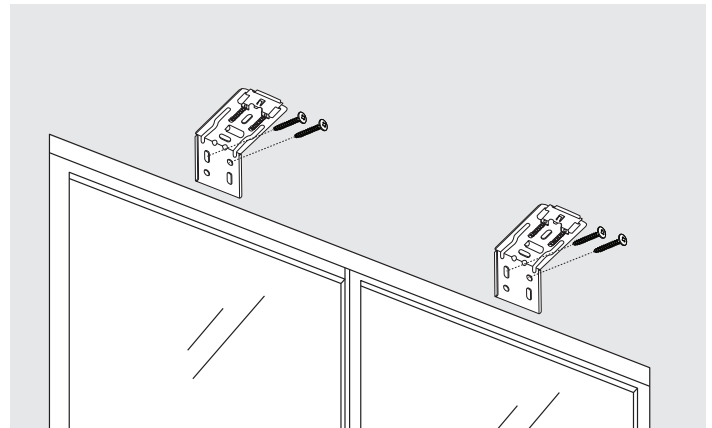


HEADRAIL INSTRUCTIONS

STEP 1 - BRACKET INSTALLATION



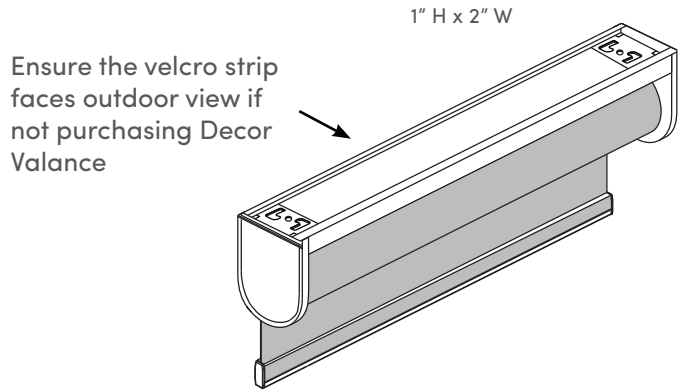
Inside Mount



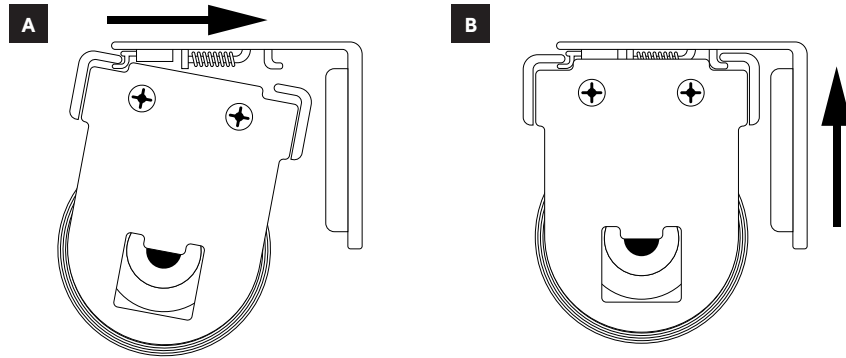
Outside/Wall Mount

Mark the headrail placement on the mounting surface. Install the brackets approximately 3" from either end of the headrail marking (drywall plugs, if required, can be purchased from a local hardware store). Ensure each bracket is level and in alignment with one another.

HEADRAIL DIMENSIONS

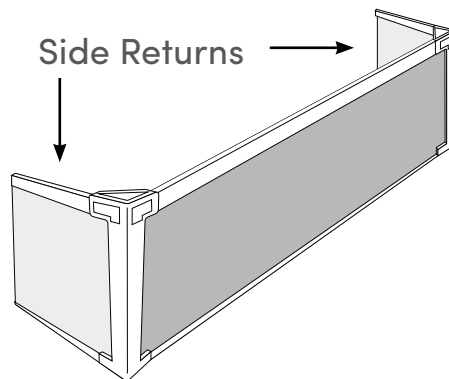


STEP 2: MOUNTING THE SHADE



Hook the front of the headrail onto each bracket as shown in (fig.A). Press the spring tab back towards the window and click the headrail into place.

STEP 3: DECOR VALANCE (IF APPLICABLE)

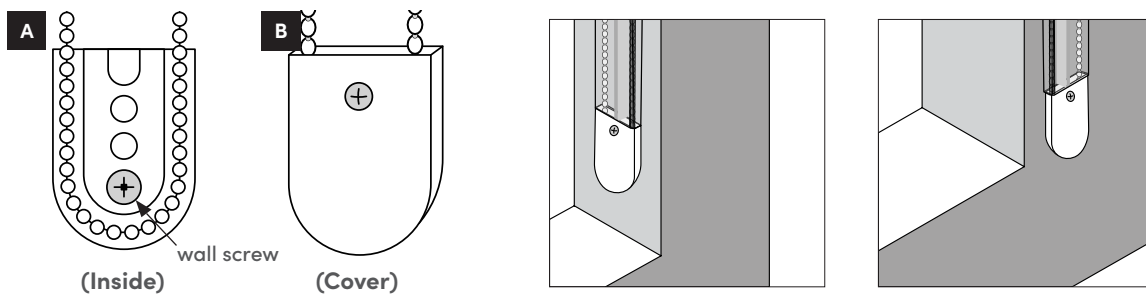


Slide the front and side returns into the corner pieces to assemble the valance, ensuring the velcro is facing the inside of the valance. Align the velcro strip on the back of the valance with the velcro strip on the headrail ensuring the valance is centered and press down firmly.

STEP 4 - AFFIX U-CLIP TO WALL (CHAINGUARD™ ONLY)**CHILD/SAFETY CHAIN TENSIONER INSTALLATION**

If preferred, the U-Clip can be affixed to the wall to prevent the chain from swaying. Position the U-Clip so it does not interfere with the travel of the shade. Chain should be tight, but not under stress when U-Clip is affixed to the wall. To do so, remove the screw at the front of the U-Clip and gently pry the cover off. Using the wall screw provided, screw the back cover into the wall (**fig.A**). Ensuring the chain is resting properly in the U channel of the U-clip, snap the front cover back on and secure the smaller screw to hold both pieces together (**fig.B**). **Do not twist the chain. ChainGuard™ will rest on U-Clip as shown.**

To operate the shade slide ChainGuard™ up and hold, exposing the chain. Use the exposed chain to raise or lower your shade accordingly.

**MAINTENANCE & CARE**

Fabrics can be periodically dusted using a soft cloth, feather duster, or vacuum cleaner with brush attachment. If staining does occur, most fabrics can be cleaned using a soft cloth with water or a mild soap detergent. Any detergent or cleaning product should be tested on a small inconspicuous area prior to cleaning the fabric. Do NOT use abrasives or harsh cleansers as they can damage the fabric. Dab with a cloth or towel to prevent water spots and roll shade down to the window sill to allow the fabric to air-dry.

⚠ WARNING / MISE EN GARDE

STRANGULATION HAZARD: Young children can be strangled by cords. Immediately remove this product if a cord longer than 22cm or a loop exceeding 44cm around becomes accessible.

RISQUE D'ÉTRANGLEMENT: Les enfants en bas âge peuvent s'étrangler avec des cordes. Enlevez immédiatement ce produit si une corde mesurant plus de 22 cm devient accessible ou si le contour d'une boucle de plus de 44 cm devient accessible.



For french installation instructions, scan the QR code.
Pour les instructions d'installation en français, scannez le code QR.