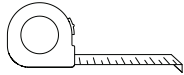
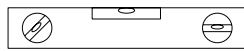


## REQUIRED TOOLS FOR INSTALLATION

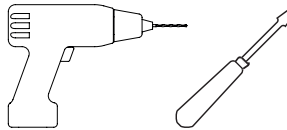
Tape Measure



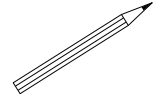
Level



Power Drill / Screwdriver

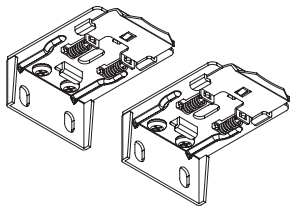


Pencil



## COMES WITH YOUR ORDER

Headrail Brackets

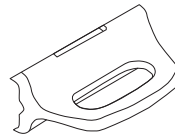


Screws



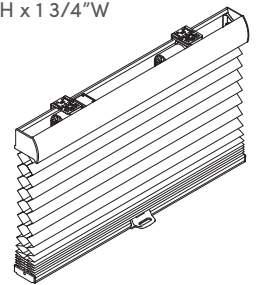
Handle

(For Cordless Only)



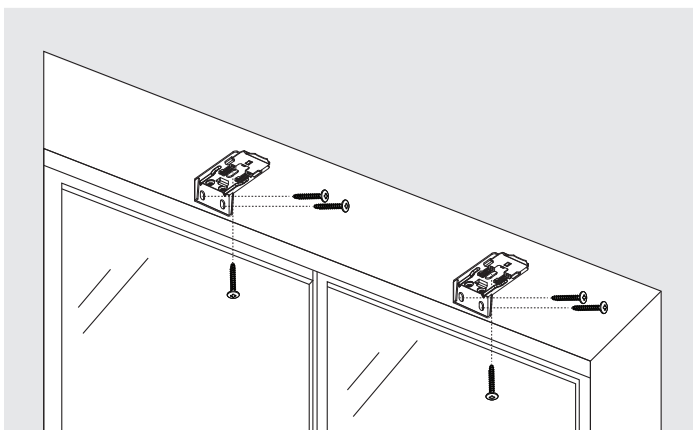
Cellular Shade

11/2"H x 1 3/4"W

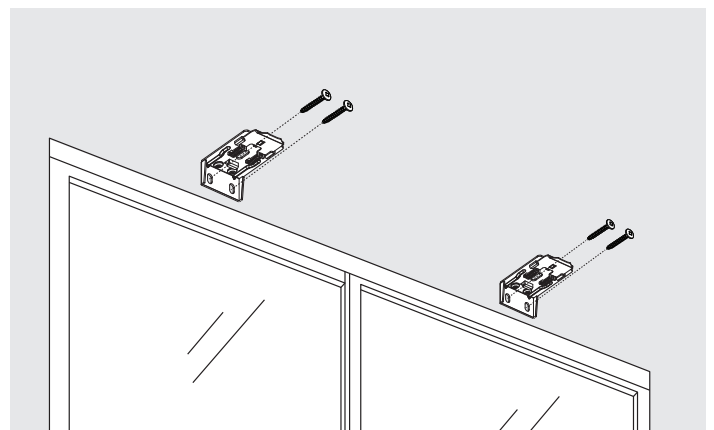


## HEADRAIL INSTRUCTIONS

### STEP 1 - BRACKET INSTALLATION

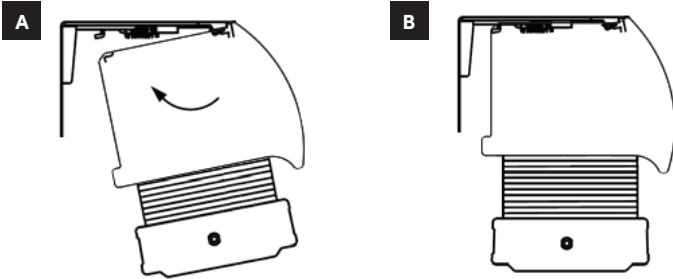


Inside Mount

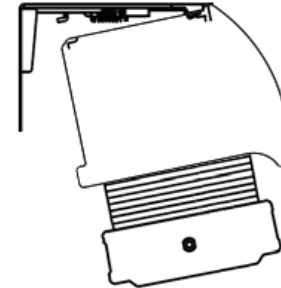


Outside/Wall Mount

Mark the headrail placement on the mounting surface. Install the brackets approximately 3" from either end of the headrail marking (drywall plugs, if required, can be purchased from a local hardware store). Ensure each bracket is level and in alignment with one another.

**STEP 2: MOUNTING THE SHADE**

Hook the front of the headrail on the leading edge of the bracket (**Fig. A**). Press back on the headrail to hook the rear of the bracket securely in place (**Fig. B**).

**STEP 3: REMOVING THE SHADE**

Press headrail back and release spring to unhook.

**MAINTENANCE & CARE**

Fabrics can be periodically dusted using a soft cloth, can air duster, feather duster, or vacuum cleaner with brush attachment. If staining does occur, most fabrics can be cleaned using a soft cloth with water or a mild soap detergent. Any detergent or cleaning product should be tested on a small area prior to cleaning the fabric. Do NOT use abrasives or harsh cleansers as they can damage the fabric. Dab with a cloth or towel to prevent water spots and roll shade down to the window sill to allow the fabric to air-dry.

**⚠ WARNING / MISE EN GARDE**

**STRANGULATION HAZARD** - Young children can be strangled by cords. Immediately remove this product if a cord longer than 22 cm or a loop exceeding 44 cm around becomes accessible.

**RISQUE D'ÉTRANGLEMENT** - Les enfants en bas âge peuvent s'étrangler avec des cordes. Enlevez immédiatement ce produit si une corde mesurant plus de 22 cm devient accessible ou si le contour d'une boucle de plus de 44 cm devient accessible.



For french installation instructions, scan the QR code.  
Pour les instructions d'installation en français, scannez le code QR.