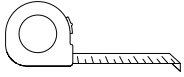


REQUIRED TOOLS FOR INSTALLATION

CASSETTE, MODEL M7

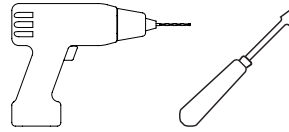
Tape Measure



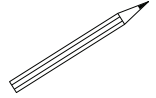
Level



Power Drill / Screwdriver



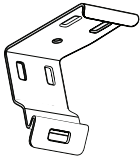
Pencil



COMES WITH YOUR ORDER

M7 Bracket

Inside & Outside mount
(min 2 per order)



Screws

(x2 per bracket)



Shade Types



Roller



High-Lite®



Sheer Horizontal

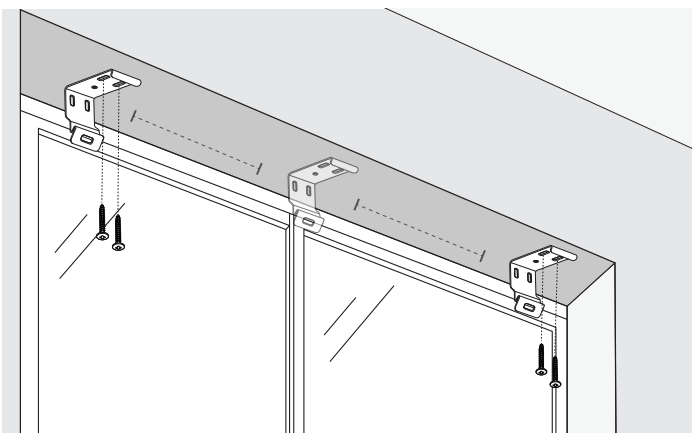
Shade Width (")	# of Brackets Supplied
0 - 48	2
49 - 77	3
78+	4

NOTES

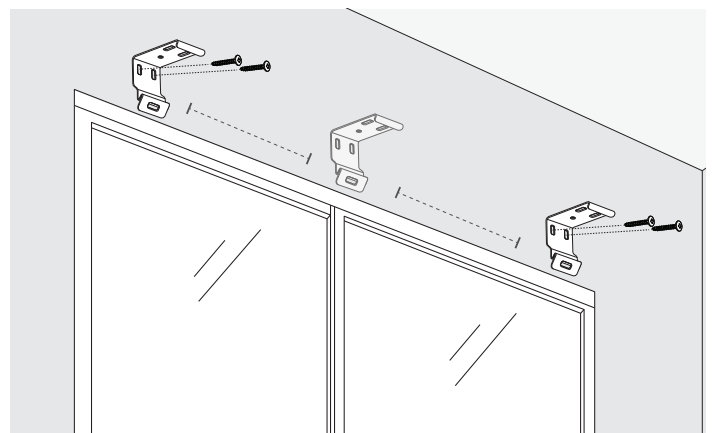
- DO NOT unroll shade prior to installation.

CASSETTE INSTRUCTIONS

STEP 1 - BRACKET INSTALLATION



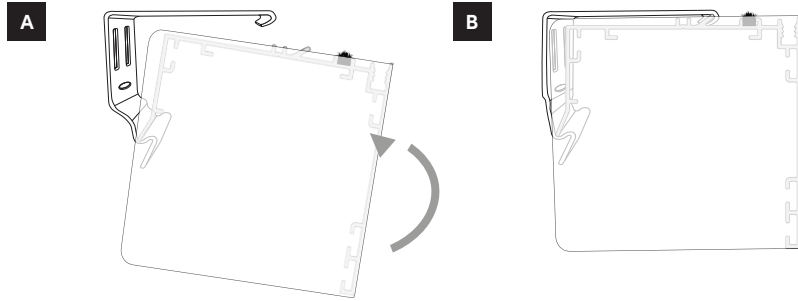
Inside Mount



Outside/Wall Mount

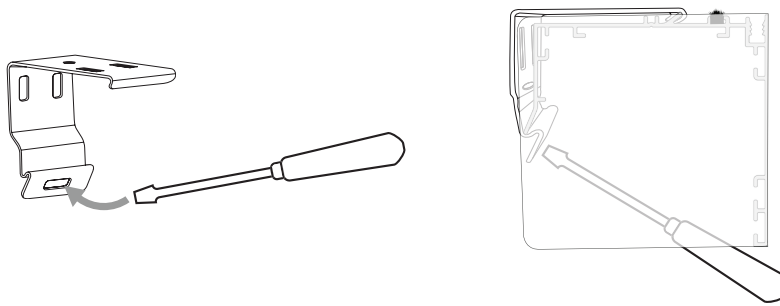
Mark the cassette location on the mounting surface. Install brackets about 2 inches in from each end, adding evenly spaced brackets for wider shades. Use drywall anchors if needed (available at most hardware stores). Ensure all brackets are level and aligned.

STEP 2 - MOUNTING THE CASSETTE



Hook the back of the cassette onto each bracket, as shown in **(Fig. A)**. Then pivot the cassette upward and back until it snaps into place on each bracket **(Fig. B)**. Ensure the cassette is firmly secured and properly seated.

STEP 3 - REMOVING THE CASSETTE (IF NECESSARY)



Carefully insert a flathead screwdriver into the slot at the bottom of the bracket to release from the cassette. Repeat for each bracket.

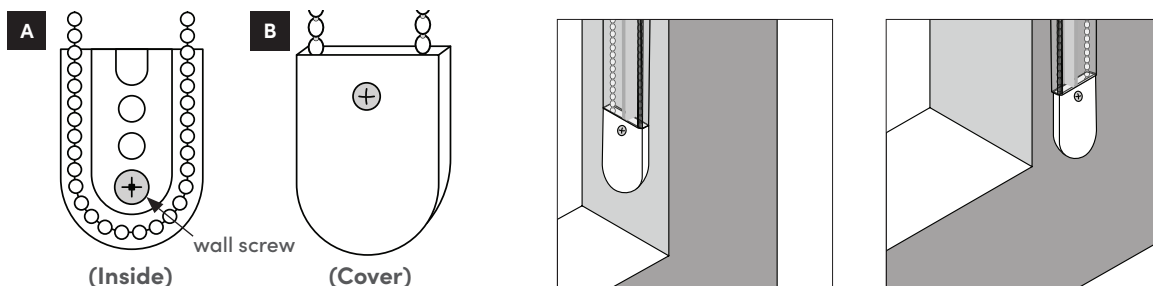
STEP 4 - AFFIX U-CLIP TO WALL (CHAINGUARD™ ONLY)

CHILD/SAFETY CHAIN TENSIONER INSTALLATION

If preferred, the U-Clip can be affixed to the wall to prevent the chain from swaying. Position the U-Clip so it does not interfere with the travel of the shade. Chain should be tight, but not under stress when U-Clip is affixed to the wall.

To do so, remove the screw at the front of the U-Clip and gently pry the cover off. Using the wall screw provided, screw the back cover into the wall **(Fig.A)**. Ensuring the chain is resting properly in the U channel of the U-clip, snap the front cover back on and secure the smaller screw to hold both pieces together **(Fig.B)**. **Do not twist the chain. ChainGuard™ will rest on U-Clip as shown.**

To operate the shade slide ChainGuard™ up and hold, exposing the chain. Use the exposed chain to raise or lower your shade accordingly.



FABRIC ADJUSTMENT

ROLLER & HIGH-LITE SHADES: If telescoping occurs, roll your shade down to expose the aluminium tube and place tape on the tube as close to the edge as possible on the side you want to bring down. Operate shades up/down. Repeat this process as many times as necessary by layering the tape to level your shade.

SHEER HORIZONTAL SHADES: Unlock the plastic clips under the bottom bar and slide the weight bar in 1-2 inch increments towards the side you want to bring down. Once adjusted, operate the shade up/down. Continue adjustments as required, then lock the weight bar back into place.

⚠️ WARNING

STRANGULATION HAZARD - Young children can be strangled by cords. Immediately remove this product if a cord longer than 22 cm or a loop exceeding 44 cm around becomes accessible.

MAINTENANCE & CARE

Fabrics can be periodically dusted using a soft cloth, compressed air can, feather duster, or vacuum cleaner with brush attachment. If staining does occur, most fabrics can be cleaned using a soft cloth with water or a mild soap detergent. Any detergent or cleaning product should be tested on a small area prior to cleaning the fabric. Do NOT use abrasives or harsh cleansers as they can damage the fabric. Dab with a cloth or towel to prevent water spots and roll shade down to the window sill to allow the fabric to air-dry.

⚠️ MISE EN GARDE

RISQUE D'ÉTRANGLEMENT - Les enfants en bas âge peuvent s'étrangler avec des cordes. Enlevez immédiatement ce produit si une corde mesurant plus de 22 cm devient accessible ou si le contour d'une boucle de plus de 44 cm devient accessible.



For french installation instructions, scan the QR code.
Pour les instructions d'installation en français, scannez le code QR.